

# HOME COLONIAL SIGNPOST

DIVISION OF ROBWOOD INC



Our new illustrated price list # 11



© Registered Industrial Design

# TABLE OF CONTENTS

|  |                |
|--|----------------|
| IMAGEMAKER SIGNPOST .....                        | 3              |
| RESIDENTIAL YARD SIGNS 60" POST SYSTEM .....     | 4-5-6-7        |
| RESIDENTIAL YARD SIGNS 72" POST SYSTEM .....     | 8-9            |
| FINE HOMES & ESTATES 60" POST SYSTEM.....        | 10-11          |
| COMMERCIAL SIGNS 60" POST SYSTEM .....           | 12             |
| LARGE SIGNS, COMMERCIAL & NEW CONSTRUCTION ..... | 13-16-17       |
| COMPLETE STEEL FRAME KIT SPECIAL .....           | 15             |
| COMPLETE SIGNPOST KIT SPECIAL .....              | 18-19          |
| NAME RIDER AND SIGN RIDER .....                  | 14-20          |
| SIGN STICKERS.....                               | 21             |
| OPEN HOUSE SIGNS & A-FRAMES.....                 | 22-23          |
| DIRECTIONAL SIGNS .....                          | 24-25-26-27-28 |
| STEEL YARD FRAMES.....                           | 29             |
| SIGN ACCESSORIES .....                           | 29-30          |
| PERSONAL PROMOTIONAL PRODUCTS* .....             | 31-32-33-34    |
| ORDER FORM .....                                 | 35             |

\* Until depletion of stock. All items will be sold with the slogan "The Local Experts"™. -  
New CENTURY 21 slogan will be "Connected to More".

• Need Additional Catalogues (SEE PAGE 35) •

**HOME COLONIAL  
SIGNPOST**

DIVISION OF ROBWOOD INC

Applicable to all of Canada except Ontario

Each CENTURY 21® Office is Independently Owned and Operated. ® Registered trademark of Century 21 Real Estate LLC, used under license. ™ Trademark of Century 21 Real Estate LLC, used under license.

Applicable to Ontario only

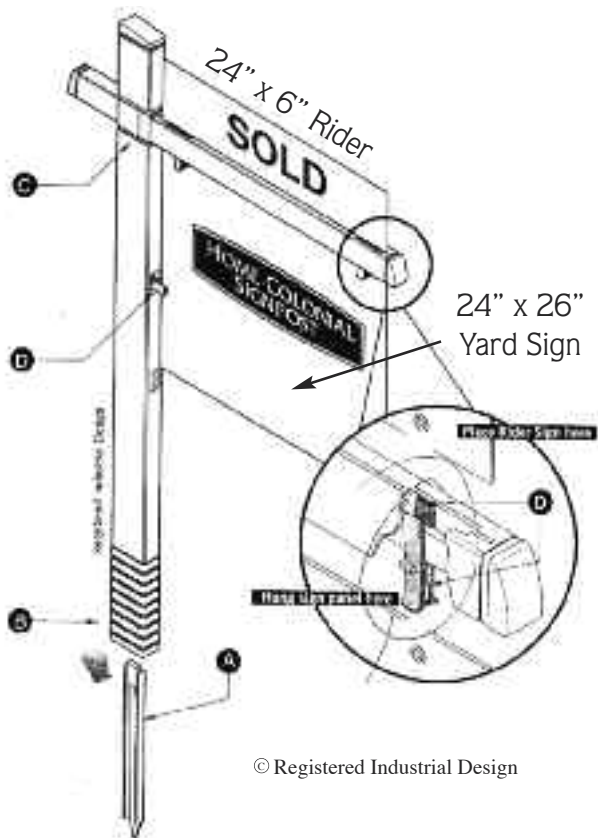
Independently Owned and Operated. ® Registered trademark of Century 21 Real Estate LLC, used under license. ™ Trademark of Century 21 Real Estate LLC, used under license.

For use with the AIR MILES logo

®™ Trademarks of AIR MILES International Trading B.V. Used under license by Loyalty One Inc. and Century 21 Canada Limited Partnership.

# IMAGEMAKER "Snap Assembly" Sign Post System

## ITEM #2005P



© Registered Industrial Design

## Main Post 60", Cross Arm 36"

Includes sign post assembly & ground stake.

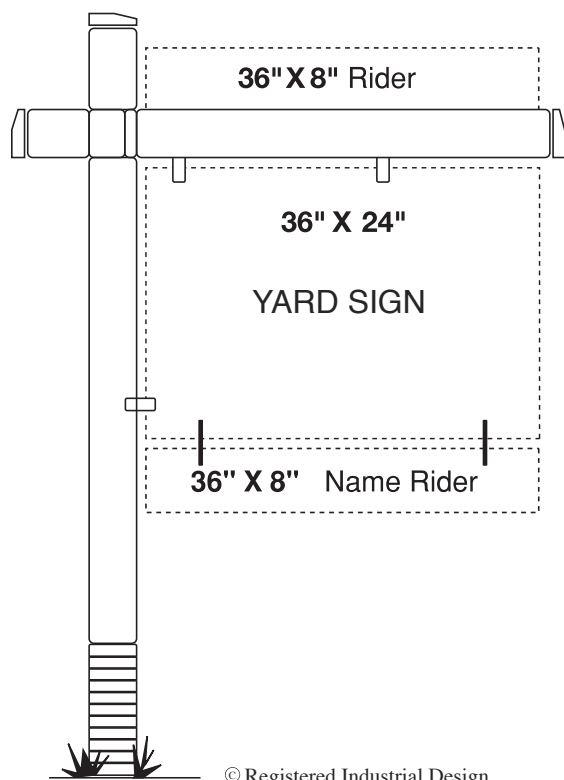
| QTY   | 3-12                   | 15-99                  | 102+                   |
|-------|------------------------|------------------------|------------------------|
| PRICE | <b>\$54.50</b><br>each | <b>\$52.50</b><br>each | <b>\$49.00</b><br>each |

AVAILABLE IN BOXES OF 3 ONLY

### QUICK'N EASY TO INSTALL:

- A Pound stake into ground with stake hammer
- ITEM #7095, page 30**
- B Slide upright portion of post onto top of stake ;
- C Slide cross arm portion into upright until it snaps ;
- D Insert sign pegs in post until they clip, hang sign panel, and then slide rider sign into slot of cross arm.

## ITEM #2072P



© Registered Industrial Design

## Main Post 72", Cross Arm 48"

Includes sign post assembly & ground stake.

| QTY   | 3-12                   |                                     |
|-------|------------------------|-------------------------------------|
| PRICE | <b>\$66.00</b><br>each | <b>AVAILABLE IN BOXES OF 3 ONLY</b> |

## 2 PRODUCT WARRANTY years!\*

\*Your Imagemaker Signpost warranty covers all defects in materials and workmanship.

The following are not covered by the warranty:

- 1- Units on which the manufacture date has been defaced, modified or removed.
- 2- Damage or deterioration resulting from:
  - A- Installation or removal of the signpost.
  - B- Accident, misuse, abuse, neglect, unauthorized product modification.
  - C- Installation of parts or accessories that do not conform to the quality or specification of the original sign post or accessories.

Please Photocopy  
AND ATTACH TO ORDER FORM

# RESIDENTIAL

## Yard Signs 60" Sign Post System

ITEM #6005

### 24" x 18" - Corrugated Plastic Sign Panel - 4 mm

- Choose from two color schemes!
- 24" x 18" sign panel
- Printed 2 sides
- Imprinted with DBA, phone number and website
- Standard 5 grommet hole pattern
- 4 holes for steel frames

White coroplast can be translucent in very bright areas

#### Yard sign printing specifications:

Sign model - A  or B

5 grommets  or no grommets

To fit Steel Frames

200 = \$6.75 each

25 = \$9.75 each

100 = \$7.25 each

12 = \$11.50 each

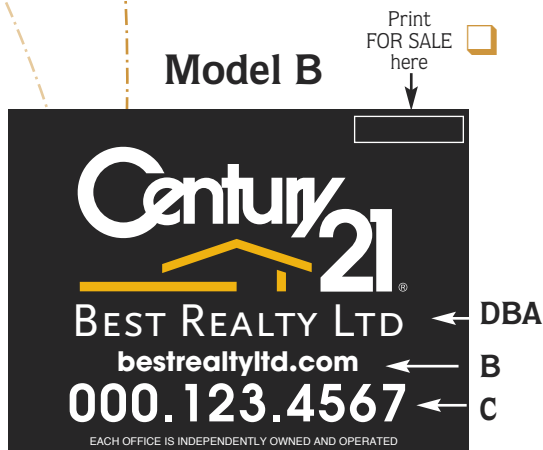
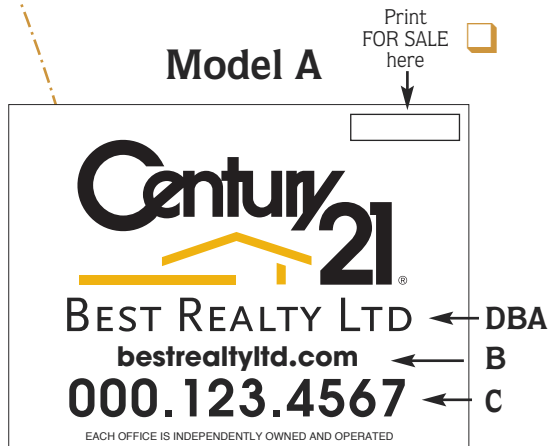
50 = \$8.50 each

A) Company Name: **CENTURY 21**

DBA \_\_\_\_\_

B) Website: \_\_\_\_\_

C) Office Phone Number: \_\_\_\_\_



#### Same sign printed 1 side only

Sign model - A  or B

50 = \$7.50 each

25 = \$8.25 each

12 = \$10.25 each

#### Logos



\$ 1.00 each



\$ 1.00 each

# RESIDENTIAL Yard Signs 60" Sign Post System

ITEM #6010

## 24" x 26" Yard Sign With Associate Identifier

### DESCRIPTION:

- Printed 2 sides
  - 4 mm coroplast office identification sign
- Imprinted with DBA, Website and phone number
- White coroplast can be translucent in very bright areas

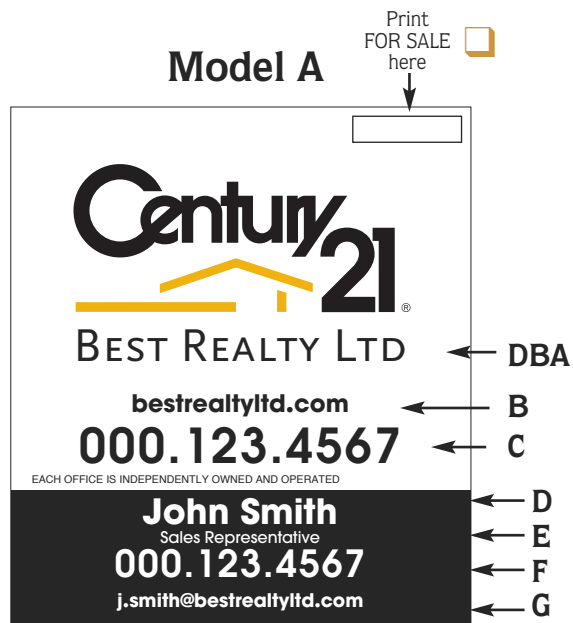
### Choose from two color schemes!

- Model A       Model B
- 100 = \$8.50 each
  - 50 = \$9.80 each
  - 25 = \$10.85 each
  - 12 = \$12.85 each

### Yard sign printing specifications:

3 grommets  or no grommets

- A) Company Name: **CENTURY 21**
- DBA \_\_\_\_\_
- B) Website: \_\_\_\_\_
- C) Office Phone Number: \_\_\_\_\_
- D) Agent Name: \_\_\_\_\_
- E) Title: \_\_\_\_\_
- F) Agent Phone Number: \_\_\_\_\_
- G) Agent Website or Email: \_\_\_\_\_



### Logos



\$1.00 each



\$1.00 each

Please Photocopy  
AND ATTACH TO ORDER FORM

# RESIDENTIAL

## Yard Signs 60" Sign Post System

ITEM #6015

### 24" x 26" - Yard Sign With Associate Identifier & Agent Photo

DESCRIPTION:

**Yard sign printing specifications:**

- 4 mm coroplast office identification sign
- Printed 2 sides

White coroplast can be translucent in very bright areas  
Imprinted with DBA, Website, phone number and agent identifier

**Choose from two color schemes!**

**Model A**       **Model B**

- 3 grommets (two (2) on top and one (1) on left side of sign)

50 = \$18.90 each       25 = \$20.25 each

12 = \$22.75 each

**3 grommets**  or **no grommets**

A) Company Name: **CENTURY 21**

DBA \_\_\_\_\_

B) Web Site: \_\_\_\_\_

C) Office Phone Number: \_\_\_\_\_

D) Agent Name: \_\_\_\_\_

E) Title: \_\_\_\_\_

F) Agent Phone Number: \_\_\_\_\_

G) Agent Website or Email : \_\_\_\_\_

**Logos**

 (MLS)  
MULTIPLE LISTING SERVICE

 REALTOR

**\$1.00 each**

**\$1.00 each**

Note: For quality purpose, agent photos should be taken at the highest possible resolution, but no less than 5" x 5" at 300 dpi (dots per inch). Shoot photos in black and white or convert to sepia tone (black & PMS 124). Color photos can be used, but the sophistication of black and white or sepia tone photos are recommended because they are more elegant, modern and professional.

**Photo on file**       **Sending photo by email**

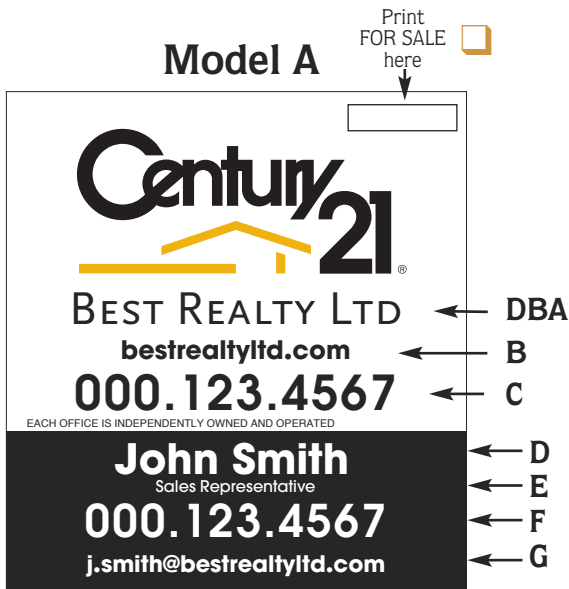


Forward photo in 300 DPI by Email to:  
robwood@bellnet.ca

# RESIDENTIAL YARD SIGNS

## Yard Signs 60" Sign Post System

ITEM #6020



Logos



\$1.00 each



\$1.00 each

### 24"x 26" - Yard Sign With Associate Identifier

DESCRIPTION:

- **Printed 1 side only**
  - 4 mm coroplast office identification sign
  - Imprinted with DBA, Website and phone number
- Choose from two color schemes!**

Model A       Model B

50 = \$8.75 each

30 = \$9.35 each

15 = \$11.00 each

A) Company Name: **CENTURY 21**

DBA \_\_\_\_\_

B) Website address: \_\_\_\_\_

C) Office Phone Number: \_\_\_\_\_

D) Agent Name: \_\_\_\_\_

E) Title: \_\_\_\_\_

F) Agent Phone Number: \_\_\_\_\_

G) Agent Website or Email: \_\_\_\_\_

ITEM #6025



Logos



\$1.00 each



\$1.00 each

### 24"x 26" Yard sign with associate identifier

DESCRIPTION: **DOUBLE**

- **2 coroplast signs back to back glued 4 corners**
  - 4 mm coroplast office identification sign
  - Imprinted with DBA, Website and phone number
- Choose from two color schemes!**

Model A       Model B

50 = \$15.50 each

25 = \$17.25 each

10 = \$22.00 each

5 = \$23.50 each

A) Company Name: **CENTURY 21**

DBA \_\_\_\_\_

B) Website address: \_\_\_\_\_

C) Office Phone Number: \_\_\_\_\_

D) Agent Name: \_\_\_\_\_

E) Title: \_\_\_\_\_

F) Agent Phone Number: \_\_\_\_\_

G) Agent Website or Email: \_\_\_\_\_

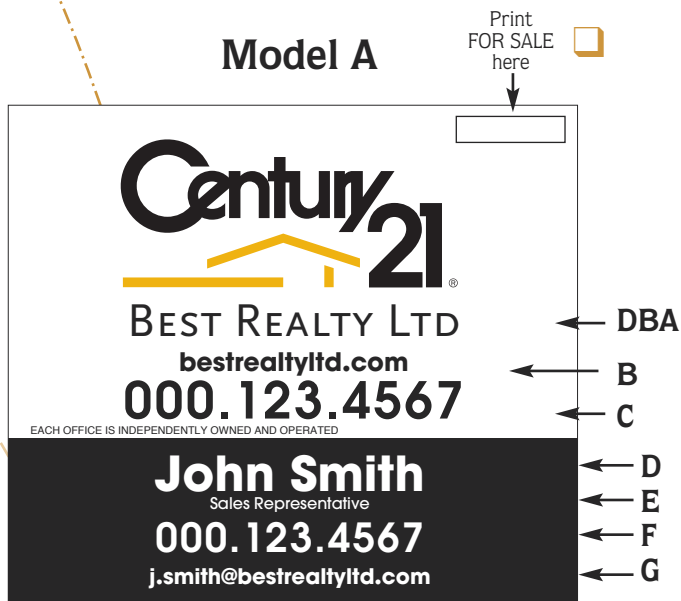
Please Photocopy  
AND ATTACH TO ORDER FORM

# RESIDENTIAL

## Yard Signs 72" Sign Post System

ITEM #6030

### 36" x 32" Yard Sign with associate identifier



DESCRIPTION:

- **Printed 2 sides**

**Choose from two color schemes!**

Imprinted with DBA, Website and phone number

- 4 mm coroplast office & agent identification sign
- 4 grommets (2 on top and 2 on left side)

Model A  Model B

15 = \$23.75 each

10 = \$28.25 each

5 = \$33.75 each

A) Company Name: **CENTURY 21**

DBA \_\_\_\_\_

B) Website address: \_\_\_\_\_

C) Office Phone Number: \_\_\_\_\_

D) Agent Name: \_\_\_\_\_

E) Title: \_\_\_\_\_

F) Agent Phone Number: \_\_\_\_\_

G) Agent Website or Email : \_\_\_\_\_

Logos



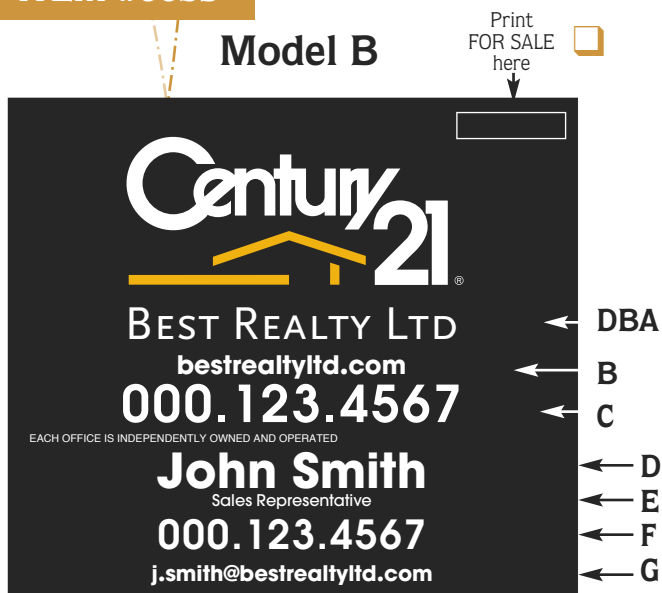
\$1.00 each



\$1.00 each

ITEM #6035

### 36" x 32" Yard Sign with associate identifier



DESCRIPTION: **DOUBLE**

- 2 signs back to back glued in 4 corners
- 4 mm coroplast office & agent identification sign

Model A  Model B

15 = \$37.75 each

10 = \$42.25 each

5 = \$47.45 each

A) Company Name: **CENTURY 21**

DBA \_\_\_\_\_

B) Website address: \_\_\_\_\_

C) Office Phone Number: \_\_\_\_\_

D) Agent Name: \_\_\_\_\_

E) Title: \_\_\_\_\_

F) Agent Phone Number: \_\_\_\_\_

G) Agent Website or Email : \_\_\_\_\_

Logos



\$1.00 each



\$1.00 each

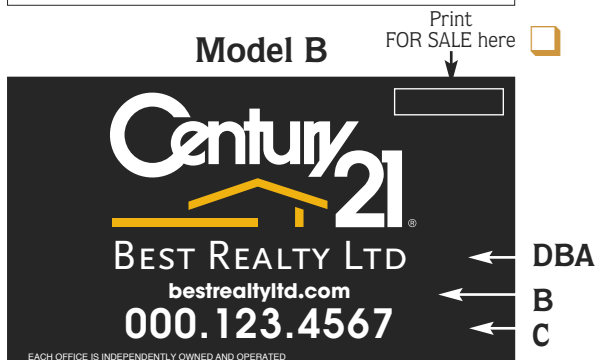
\* The CENTURY 21 Policy and Procedures Manual requires that brokers use the CENTURY 21 Colonial Post Sign made to Franchise Identification System Specifications unless prohibited from doing so by the client or by law or local ordinance. Yard signs depicted in other formats are offered for your convenience and should only be used when it is not possible to use the Colonial Post Yard Sign.

Please Photocopy  
AND ATTACH TO ORDER FORM



# RESIDENTIAL Yard Signs 72" Sign Post System

## ITEM #6040



### Logos



\$1.00 each



\$1.00 each

## 36" x 24" - Yard Sign

### DESCRIPTION:

- **Printed 2 sides**
  - Imprinted with DBA, Website and phone number
- Choose from two color schemes!**  
White coroplast can be translucent in very bright areas

Sign model - A  or B

- 4 mm coroplast office identification sign
- 5 grommets (two(2) on top, one (1) left and two (2) on bottom)

200 = \$8.50 each

25 = \$12.25 each

100 = \$9.25 each

12 = \$14.50 each

50 = \$10.75 each

### Yard sign printing specifications:

5 grommets  or no grommets

A) Company Name: **CENTURY 21**

DBA \_\_\_\_\_

B) Website: \_\_\_\_\_

C) Office Phone Number: \_\_\_\_\_

## ITEM #6045



Photo on file

Sending photo by email

Full-color required  
Forward photo 5"x5" in 300 DPI  
by Email to: robwood@bellnet.ca

## 36" x 8" Name Rider

### DESCRIPTION:

- **Printed 2 sides**
- 4 mm coroplast office identification sign
- 2 grommets (on top or bottom)

Sign model - A  or B

25 = \$6.25 each

With photo 6" x 6"

12 = \$7.00 each

25 = \$15.50 each

12 = \$17.00 each

2 grommets Top  or Bottom

A) Agent Name: \_\_\_\_\_

B) Title: \_\_\_\_\_

C) Agent Phone Number: \_\_\_\_\_

D) Agent Website or Email: \_\_\_\_\_

Please Photocopy  
AND ATTACH TO ORDER FORM

# YARD SIGNS

## Fine Homes & Estates 60" Sign Post System

ITEM #6050

Model A

Print FOR SALE here

DBA ←

B ←

C ←

D ←

E ←

F ←

G ←

**Century 21**  
 PROPRIÉTÉS  
 DE PRESTIGE  
 BEST REALTY LTD  
 bestrealtyltd.com  
 000.123.4567  
EACH OFFICE IS INDEPENDENTLY OWNED AND OPERATED  
**Annie Smith**  
 Sales Representative  
 000.123.4567  
 a.smith@bestrealtyltd.com

### 24" x 30" - Fine Homes & Estates Yard Sign

DESCRIPTION:

- **Printed 2 sides**
- 4 mm coroplast office identification sign
- Imprinted with DBA, Website and phone number

**Choose from two color schemes!**

White coroplast can be translucent in very bright areas

Sign model - A  or B

- 4 grommets (two (2) on top, two (2) left side of sign)

50 =  \$13.75 each

4 grommets

25 =  \$15.75 each

No grommets

12 =  \$20.25 each

Model B

Print FOR SALE here

DBA ←

B ←

C ←

D ←

E ←

F ←

G ←

**Century 21**  
 FINE HOMES  
 & ESTATES®  
 BEST REALTY LTD  
 bestrealtyltd.com  
 000.123.4567  
EACH OFFICE IS INDEPENDENTLY OWNED AND OPERATED  
**Annie Smith**  
 Sales Representative  
 000.123.4567  
 a.smith@bestrealtyltd.com

A) Company Name: **CENTURY 21**

DBA \_\_\_\_\_

B) Website: \_\_\_\_\_

C) Office Phone Number: \_\_\_\_\_

D) Agent name: \_\_\_\_\_

E) Title: \_\_\_\_\_

F) Agent phone number: \_\_\_\_\_

G) Agent Website or Email : \_\_\_\_\_

Logos



\$1.00 each



\$1.00 each

# YARD SIGNS

## Yard Signs 60" Sign Post System - Fine Homes & Estates

ITEM #6055

Model A

Print FOR SALE here

**Century 21**  
 FINE HOMES  
 & ESTATES®  
 BEST REALTY LTD ← DBA  
 bestrealtyltd.com ← B  
**000.123.4567** ← C  
EACH OFFICE IS INDEPENDENTLY OWNED AND OPERATED  
**Annie Smith** ← D  
Sales Representative ← E  
**000.123.4567** ← F  
 a.smith@bestrealtyltd.com ← G

Model B

Print FOR SALE here

**Century 21**  
 PROPRIÉTÉS  
 DE PRESTIGE®  
 BEST REALTY LTD ← DBA  
 bestrealtyltd.com ← B  
**000.123.4567** ← C  
EACH OFFICE IS INDEPENDENTLY OWNED AND OPERATED  
**Annie Smith** ← D  
Sales Representative ← E  
**000.123.4567** ← F  
 a.smith@bestrealtyltd.com ← G

### 24" x 30" - Fine Homes & Estates Yard Sign With Agent Photo

DESCRIPTION:

- **Printed 2 sides**
- 4 mm coroplast office identification sign
- Imprinted with DBA, Website, phone number and agent identifier
- Photo 5.5" x 5.5"

**Choose from two color schemes!**

White coroplast can be translucent in very bright areas

Sign model - A  or B

- 4 grommets (two (2) on top, two (2) left side of sign)

50 = \$22.75 each      4 grommets

25 = \$25.00 each      No grommets

12 = \$30.00 each

A) Company Name: **CENTURY 21**

DBA \_\_\_\_\_

B) Website: \_\_\_\_\_

C) Office Phone Number: \_\_\_\_\_

D) Agent name: \_\_\_\_\_

E) Title: \_\_\_\_\_

F) Agent phone number: \_\_\_\_\_

G) Agent Website or Email: \_\_\_\_\_

**Logos**

(MLS)

\$1.00 each

\$1.00 each

Photo on file

Sending photo by email

Note: For quality purposes, the agent photo should be taken at the highest possible resolution, but no less than 5" x 5" at 300 dpi (dots per inch).

**Forward photo in 300 DPI by Email to:**  
**robwood@bellnet.ca**

Please Photocopy  
AND ATTACH TO ORDER FORM

# COMMERCIAL SIGNS

## Yard Signs 60" Sign Post System

ITEM #6060



### 24" x 26" - Commercial Yard Sign With Associate Identifier

#### DESCRIPTION:

- Printed 2 sides
- 4 mm coroplast office identification sign
- Imprinted with DBA, Website and phone number

#### Choose from two color schemes!

White coroplast can be translucent in very bright areas

Model A       Model B

50 = \$11.25 each

25 = \$12.50 each

12 = \$14.50 each

3 grommets     or    no grommets

#### Yard Sign Printing Specifications:

A) Company Name: **CENTURY 21**

DBA \_\_\_\_\_

B) Website: \_\_\_\_\_

C) Office Phone Number: \_\_\_\_\_

D) Agent Name: \_\_\_\_\_

E) Title: \_\_\_\_\_

F) Agent Phone Number: \_\_\_\_\_

G) Agent Website or Email: \_\_\_\_\_

#### Logos

 (MLS)

\$1.00 each

 REALTOR

\$1.00 each

# LARGE COMMERCIAL SIGNS

ITEM #6065

## Model A

### MESSAGE

**Century21**

**COMMERCIAL®**

BEST REALTY LTD

bestrealtyltd.com

**000.123.4567**

EACH OFFICE IS INDEPENDENTLY OWNED AND OPERATED

**John Smith**

Sales Representative

**000.123.4567**

j.smith@bestrealtyltd.com

## Model B

### MESSAGE

**Century21**

**COMMERCIAL®**

BEST REALTY LTD

bestrealtyltd.com

**000.123.4567**

EACH OFFICE IS INDEPENDENTLY OWNED AND OPERATED

**John Smith**

Sales Representative

**000.123.4567**

j.smith@bestrealtyltd.com

## 48"x 48" Large Yard Sign

LARGE, PRINTED ON ONE SIDE COROPLAST SIGN IDEAL FOR INDUSTRIAL, COMMERCIAL BUILDINGS, OPEN LOTS AND ACREAGE.

Ready to install on buildings, etc. Coroplast signs are inexpensive to ship and easy to install. Signs should be supported with wooden frame (1" x 3" furring)

DESCRIPTION:

- Printed one side
- **6 mm** coroplast office identification sign.

### 48" x 48" - With upper message

Model A  Model B

25 = \$68.50 each

10 = \$86.00 each

5 = \$99.50 each

Upper message: \_\_\_\_\_

\_\_\_\_\_  
 \_\_\_\_\_

A) Company Name: **CENTURY 21**

DBA \_\_\_\_\_

B) Website: \_\_\_\_\_

C) Office Phone Number: \_\_\_\_\_

D) Agent name: \_\_\_\_\_

E) Title: \_\_\_\_\_

F) Agent Phone Number: \_\_\_\_\_

G) Agent Web or email: \_\_\_\_\_

Please Photocopy  
AND ATTACH TO ORDER FORM

# NAME RIDERS

Personalize Your Rider With a Photo

ITEM #6085

## Model A

**Annie Smith**  
Sales Representative  
**000.123.4567**

## Model B



**Annie Smith**  
Sales Representative  
**000.123.4567**  
a.smith@bestrealtyltd.com

Note: For quality purposes, agent photo should be taken at the highest possible resolution, but no less than 5" x 5" at 300 dpi (dots per inch). Shoot photographs in black and white or convert to sepia tone (black & PMS 124). Color photos can be used, but the sophistication of black and white or sepia tone photos are recommended because they are more elegant, modern and professional.

## 24" x 6 - Agent Name Riders

DESCRIPTION:

- **Printed 2 sides**
- 4 mm coroplast office identification sign

Model A

25 = \$5.10 each

12 = \$5.85 each

2 grommets:

Top  or Bottom

Center print for steel frames

## 24" x 8" - Agent Name Riders

DESCRIPTION:

- **Printed 2 sides**
- 4 mm coroplast office identification sign

Model A

25 = \$5.70 each

12 = \$6.45 each

Model B

With photo 5.5" x 5.5"

25 = \$15.00 each

12 = \$16.25 each

2 grommets:

Top  or Bottom

Center print for steel frames

Sign Printing specifications:

A) Agent Name: \_\_\_\_\_

B) Title: \_\_\_\_\_

C) Agent Phone Number: \_\_\_\_\_

D) Agent Website or Email: \_\_\_\_\_

Photo on file

Sending photo by email

# STEEL FRAME KIT

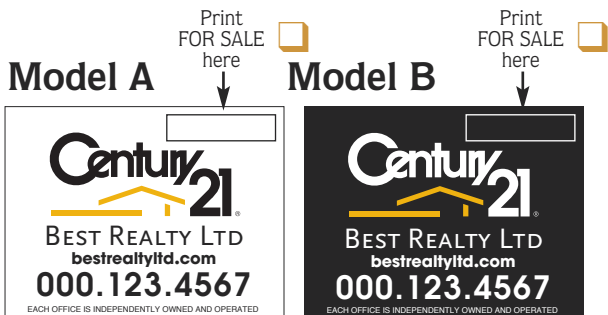
**ITEM #6075**

# SPECIAL

## COMPLETE STEEL FRAME KIT

- (ITEM 2010P) A) 12 YARD SIGNS 24" x 18"
- (ITEM 2020P) B) 12 NAME RIDERS 24" x 6"
- (ITEM 2041W) C) 4 AIR MILES (printed in blue) 24" x 6"
- (ITEM 2040P) D) 4 "OPEN SUNDAY 2 TO 4 P.M." 24" x 6"
- (ITEM 2040P) E) 4 "SOLD" 24" x 6"

**Choose from two color schemes!**



A VALUE OF \$754.00  
FOR ONLY  
**\$690**

Frame Item #7080 sold on page 25

**Model A**  **Model B**

A) Company Name: **CENTURY 21**

DBA \_\_\_\_\_

B) Website: \_\_\_\_\_

C) Office Phone number: \_\_\_\_\_

D) Agent Name: \_\_\_\_\_

E) Title: \_\_\_\_\_

F) Agent Phone Number: \_\_\_\_\_

G) Agent Website or Email: \_\_\_\_\_



**Please Photocopy AND ATTACH TO ORDER FORM**

\* The CENTURY 21 Policy and Procedures Manual requires that brokers use the CENTURY 21 Colonial Post Sign made to Franchise Identification System Specifications unless prohibited from doing so by the client or by law or local ordinance. Yard signs depicted in other formats are offered for your convenience and should only be used when it is not possible to use the Colonial Post Yard Sign.

# SELF PROMOTIONAL SIGNS

ITEM #6071

## Model A

## Model B

## 60" x 48" Self Promotional Signs

### DESCRIPTION :

- Printed 1 side only
- 6 mm coroplast self promotional sign

### Model A

2 = \$179.20 each

3 = \$170.80 each

6 = \$159.60 each

### Model B

2 = \$207.20 each

3 = \$198.80 each

6 = \$187.60 each

### YARD SIGN PRINTING SPECIFICATIONS:

- A) Company Name: **CENTURY 21**  
 DBA \_\_\_\_\_
- B) Website: \_\_\_\_\_
- C) Office Phone Number: \_\_\_\_\_
- D) Agent name: \_\_\_\_\_
- E) Title: \_\_\_\_\_
- F) Agent Phone Number: \_\_\_\_\_
- G) Agent Website or Email: \_\_\_\_\_
- H) Slogan or message : \_\_\_\_\_  
 \_\_\_\_\_  
 \_\_\_\_\_



# EXTRA LARGE COMMERCIAL SIGNS

ITEM #6070

## Model A



## 60" x 48" Extra Large Yard Sign

LARGE, ONE SIDED COROPLAST SIGN IDEAL FOR INDUSTRIAL, COMMERCIAL BUILDINGS, OPEN LOTS, ACREAGE.

Ready to install on buildings, etc. Coroplast signs are inexpensive to ship and easy to install. Signs should be supported with wooden frame (1" x 3" furring).

### DESCRIPTION:

- Printed one sided
- 6 mm coroplast office identification sign.

Model A

Model B

2 = \$145.00 each

3 = \$135.00 each

6 = \$122.00 each

## Model B



### YARD SIGN PRINTING SPECIFICATIONS:

- A) Company Name: **CENTURY 21**  
 DBA \_\_\_\_\_
- B) Website: \_\_\_\_\_
- C) Office Phone Number: \_\_\_\_\_
- D) Agent name: \_\_\_\_\_
- E) Title: \_\_\_\_\_
- F) Agent Phone Number: \_\_\_\_\_
- G) Agent Website or Email: \_\_\_\_\_

Your Sign Message: \_\_\_\_\_  
 \_\_\_\_\_  
 \_\_\_\_\_  
 \_\_\_\_\_

Please Photocopy  
AND ATTACH TO ORDER FORM

# SIGN POST

# SPEC COMPLETE

Model A



A) 12 IMAGE MAKER 60" SIGN POSTS COMPLETE WITH GROUND STAKES & SIGN PEGS

B) 12 YARD SIGNS (24" X 26") WITH ASSOCIATED IDENTIFIER

C) 12 MESSAGE RIDERS (24" X 6") RIDERS WHITE COROPLAST BLACK LETTERING

- 3 "SOLD"
- 3 "OPEN SUNDAY 2 TO 4 P.M."
- 3 "AIR MILES"
- 3 "JUST LISTED"

## ITEM #9000

A VALUE OF \$850.00

FOR ONLY

# \$790

# SIGN POST KIT

**Model A**

**Model B**

3 grommets

A) Company Name: **CENTURY 21**

DBA \_\_\_\_\_

B) Website: \_\_\_\_\_

C) Office Phone number: \_\_\_\_\_

D) Agent Name: \_\_\_\_\_

E) Title: \_\_\_\_\_

F) Agent Phone Number: \_\_\_\_\_

G) Agent Email or Website: \_\_\_\_\_



# SIGN RIDERS

ITEM #6090

**NOTE:**

Only "SOLD"  
Riders are al-  
lowed to have  
Black on Gold

Model A

**SOLD**

Model B

**JUST REDUCED**

Model C

Printed  
in blue →

 **airmiles.ca**

Model D

**Open House**

## Special Features And Activities

DESCRIPTION:

- Printed 2 sides
- 4 mm coroplast sign riders.

White coroplast can be translucent in very bright areas

**NOTE:** Minimum of 12 signs, **no mixing.**

Model A  Model B  Model C  Model D

Sign no. \_\_\_\_\_ Quantity \_\_\_\_\_

Description \_\_\_\_\_

Sign size: 24" x 6"  36" x 8"

• 2 grommets:

Top  Bottom  Center print for steel frames

**24" x 6"**

100 = \$3.45 each

50 = \$4.00 each

25 = \$4.75 each

12 = \$5.50 each

**36" x 8"**

100 = \$4.50 each

50 = \$5.00 each

25 = \$5.75 each

12 = \$6.50 each

|             |                      |             |                        |             |                        |             |   |             |                             |
|-------------|----------------------|-------------|------------------------|-------------|------------------------|-------------|---|-------------|-----------------------------|
| 7<br>0<br>0 | <b>Commercial</b>    | 7<br>1<br>2 | <b>Open</b> →          | 7<br>2<br>3 | <b>Open House</b>      | 7<br>3<br>8 | <b>Open Sunday 2-4</b>                            | 7<br>5<br>1 | <b>Must See Inside!</b>     |
| 7<br>0<br>1 | <b>Office</b>        | 7<br>1<br>3 | <b>Auction</b>         | 7<br>2<br>4 | <b>For Lease</b>       | 7<br>4<br>0 | <b>Model Open</b> →                               | 7<br>5<br>2 | <b>New Price!</b>           |
| 7<br>0<br>2 | <b>3 Bedroom</b>     | 7<br>1<br>4 | →                      | 7<br>2<br>7 | <b>Lot</b>             | 7<br>4<br>1 | <b>Farm</b>                                       | 7<br>5<br>3 | <b>Open Sunday 1-3</b>      |
| 7<br>0<br>5 | <b>Lakefront</b>     | 7<br>1<br>5 | <b>Open Sunday 1-4</b> | 7<br>2<br>8 | <b>Sale Pending</b>    | 7<br>4<br>2 | <b>Open Saturday</b>                              | 7<br>5<br>4 | <b>Open Sat. ___ To ___</b> |
| 7<br>0<br>6 | <b>Swimming Pool</b> | 7<br>1<br>6 | <b>For Sale</b>        | 7<br>2<br>9 | <b>Rentals</b>         | 7<br>4<br>3 | <b>Open Sunday</b>                                | 7<br>5<br>6 | <b>Lake Rights</b>          |
| 7<br>0<br>7 | <b>By Appt. Only</b> | 7<br>1<br>7 | <b>Owner Finance</b>   | 7<br>3<br>0 | <b>Waterfront</b>      | 7<br>4<br>4 | <b>Sold</b><br><small>But, we Have Others</small> | 7<br>5<br>7 | <b>Lot # _____</b>          |
| 7<br>0<br>8 | <b>Sold</b>          | 7<br>1<br>8 | <b>Exclusive</b>       | 7<br>3<br>1 | <b>Income Property</b> | 7<br>4<br>5 | <b>Acreage</b>                                    | 7<br>5<br>8 | <b>New Listing!</b>         |
| 7<br>0<br>9 | <b>2 Family</b>      | 7<br>1<br>9 | <b>Lots</b>            | 7<br>3<br>2 | <b>Open House</b> →    | 7<br>4<br>8 | <b>Duplex</b>                                     | 7<br>5<br>9 | <b>In Contract</b>          |
| 7<br>1<br>0 | <b>4 Bedroom</b>     | 7<br>2<br>0 | <b>Price Reduced</b>   | 7<br>3<br>3 | <b>For Rent</b>        | 7<br>4<br>9 | <b>Home For Sale</b> →                            | 7<br>6<br>0 | <b>Multi-Family</b>         |
| 7<br>1<br>1 | <b>_____ Acres</b>   | 7<br>2<br>2 | <b>Available</b>       | 7<br>3<br>5 | <b>Build To Suit</b>   | 7<br>5<br>0 | <b>Home Warranty</b>                              | 7<br>6<br>1 | <b>Condo</b>                |

# SIGN STICKERS

## ITEM #6095

### CUSTOM VINYL GRAPHIC STICKERS

**FAX US YOUR PRINT AND SIZE FOR A PRICE QUOTE**

- Black sticker, white lettering      Size of Sticker: \_\_\_\_\_
- White sticker, black lettering
- Transparent sticker, white or black lettering

Message print: \_\_\_\_\_  
 \_\_\_\_\_  
 \_\_\_\_\_

## ITEM #7000

### WHITE OR BLACK STICKERS WITH BLACK OR WHITE LETTERING

#### SIZE

#### QUANTITY

|                                   | 15          | 25          | 50          | 100         |
|-----------------------------------|-------------|-------------|-------------|-------------|
| <input type="checkbox"/> 15" X 3" | \$3.60 each | \$2.40 each | \$2.10 each | \$1.50 each |
| <input type="checkbox"/> 21" X 3" | \$4.00 each | \$3.00 each | \$2.60 each | \$2.00 each |

Message print: \_\_\_\_\_

## ITEM #7005

### TRANSPARENT STICKERS WITH WHITE OR BLACK LETTERING

#### SIZE

#### QUANTITY

|                                   | 15          | 25          | 50          | 100         |
|-----------------------------------|-------------|-------------|-------------|-------------|
| <input type="checkbox"/> 15" X 4" | \$4.00 each | \$2.75 each | \$2.50 each | \$1.90 each |

Message print: \_\_\_\_\_

## ITEM #7010

### EXTRA LARGE PERSONALIZED STICKERS

#### SIZE

#### QUANTITY

|                                     | 15          | 25          |
|-------------------------------------|-------------|-------------|
| <input type="checkbox"/> 26" X 7.5" | \$6.00 each | \$5.00 each |

Message print: \_\_\_\_\_

Please Photocopy  
AND ATTACH TO ORDER FORM

# OPEN HOUSE SIGNS

ITEM #7015

Model A



Model B



Model C



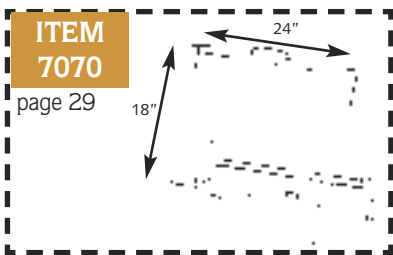
Model D



Model E



Model F



## 24" x 18" Open House Signs

DESCRIPTION:

- Printed 1 side only
- 4 mm coroplast sign

White coroplast can be translucent in very bright areas

**Minimum order = 12**

Specify:

MODEL A  MODEL C

MODEL B  MODEL D

OPEN HOUSE → QTY: \_\_\_\_\_  ← QTY: \_\_\_\_\_

50 = \$8.90 each

12 = \$12.40 each

24 = \$10.25 each

MODEL E  MODEL F  - With photo

OPEN HOUSE → QTY: \_\_\_\_\_  ← QTY: \_\_\_\_\_

50 = \$13.50 each

12 = \$18.00 each

24 = \$15.25 each

### Yard Sign Printing Specifications:

A) Company Name: **CENTURY 21**

DBA \_\_\_\_\_

B) Agent name: \_\_\_\_\_

C) Title: \_\_\_\_\_

D) Agent Phone Number: \_\_\_\_\_

E) Agent website or Email: \_\_\_\_\_

Photo on file

Sending photo by email

# OPEN HOUSE SIGNS

## Fine Homes & Estates

ITEM #7020

Model A



Model B



Model C



Model D



Model E



Model F



### 24" x 18" Open House Signs

DESCRIPTION:

- Printed 1 side only
- 4 mm coroplast sign

White coroplast can be translucent in very bright areas

Specify:

MODEL A  MODEL C

MODEL B  MODEL D

OPEN HOUSE → QTY: \_\_\_\_\_  ← QTY: \_\_\_\_\_

50 = \$10.40 each

12 = \$13.75 each

24 = \$11.75 each

MODEL E  MODEL F  - With photo

OPEN HOUSE → QTY: \_\_\_\_\_  ← QTY: \_\_\_\_\_

50 = \$12.10 each

12 = \$19.50 each

24 = \$16.75 each

### Yard Sign Printing Specifications:

A) Company Name: **CENTURY 21**

DBA \_\_\_\_\_

B) Agent name: \_\_\_\_\_

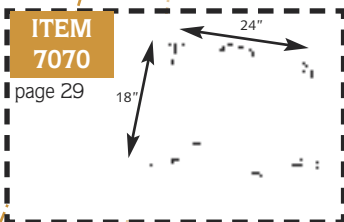
C) Title: \_\_\_\_\_

D) Agent Phone Number: \_\_\_\_\_

E) Agent Website or Email : \_\_\_\_\_

Photo on file

Sending photo by email



Please Photocopy  
AND ATTACH TO ORDER FORM

# DIRECTIONAL SIGNS and Stakes

## ITEM #7051



### Little House die-cut sign 18" X 18" Directional sign with step stake

#### DESCRIPTION:

- 2 X 4 mm coroplast signs glued back to back
- Printed 1 side only
- Includes step stake, nuts and bolts
- Weight: 4.75 pounds each

#### SIGN PRINTING SPECIFICATIONS:

- A) Company Name: **CENTURY 21**  
 B) Agent name: \_\_\_\_\_  
 C) Title: \_\_\_\_\_  
 D) Agent Phone Number: \_\_\_\_\_

Specify: **OPEN HOUSE**  **FOR SALE**

25 = \$31.00 each

15 = \$33.50 each

10 = \$35.00 each



## ITEM #7052



20 = \$11.35 each  
 Minimum order  
 10 per direction



### Single sided directional signs

#### DESCRIPTION:

- 1 X 4 mm coroplast sign
- Printed 1 side only

#### SIGN PRINTING SPECIFICATIONS:

- A) Company Name: **CENTURY 21**  
 B) Agent name: \_\_\_\_\_  
 C) Title: \_\_\_\_\_  
 D) Agent Phone Number: \_\_\_\_\_  
 E) Indicate direction of arrow:

Arrow right QTY: \_\_\_\_\_

Arrow left QTY: \_\_\_\_\_

Specify: **OPEN HOUSE**  **FOR SALE**



# DIRECTIONAL SIGNS and Stakes

## ITEM #7025

Model A



Model B



Model C



Model D



## 24" x 8" Directional Sign With Step Stake

### DESCRIPTION:

- 2 X 4 mm coroplast signs glued back to back
- Printed one side only
- Includes step stake, nuts and bolts
- Weight: 3.75 lbs each

### Choose from two color schemes!

White coroplast can be translucent in very bright areas

Model: A  - B  - C  - D

Specify: OPEN HOUSE  HOME FOR SALE

### SIGN PRINTING SPECIFICATIONS:

A) Company Name: **CENTURY 21**

DBA \_\_\_\_\_

10 = \$28.60 each

15 = \$27.00 each

25 = \$25.50 each

## ITEM #7030

Model A



Model B



Model C



Model D



60 = \$6.25 each

40 = \$7.00 each

20 = \$8.00 each

No mixing

## 24" x 8" Directional sign

### DESCRIPTION:

- 4 mm coroplast sign
- Printed one side only

### SIGN PRINTING SPECIFICATIONS:

A) Company Name: **CENTURY 21**

DBA \_\_\_\_\_

B) Specify: **Minimum 10 each direction**

Model: A OPEN HOUSE  → QTY: \_\_\_\_\_  ← QTY: \_\_\_\_\_

Model: B FOR SALE  → QTY: \_\_\_\_\_  ← QTY: \_\_\_\_\_

Model: C OPEN HOUSE  → QTY: \_\_\_\_\_  ← QTY: \_\_\_\_\_

Model: D FOR SALE  → QTY: \_\_\_\_\_  ← QTY: \_\_\_\_\_

\* SAME SIGN PRINTED 2 SIDES:

10 = \$11.50 each  16 = \$10.90 each  24 = \$10.10 each

# DIRECTIONAL SIGNS and Stakes

ITEM #7035

## 24" x 12" - Directional Sign With Step Stake

### DESCRIPTION:

- 2 X 4 mm coroplast signs glued back to back
- Includes step stake, nuts and bolts
- Imprinted with DBA and Agent identifier
- Weight: 4.75 lbs each

### Choose from two color schemes!

Model A  Model B

Specify: OPEN HOUSE  FOR SALE

### SIGN PRINTING SPECIFICATIONS:

A) Company Name: **CENTURY 21**

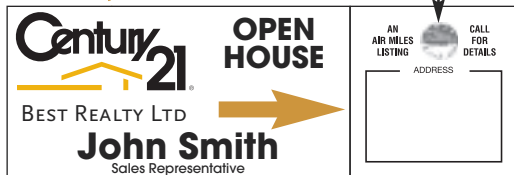
DBA \_\_\_\_\_

B) Agent Name: \_\_\_\_\_

C) Title: \_\_\_\_\_



### Model A



Printed in blue

### Model B



Printed in blue

- 25 = \$27.00 each
- 15 = \$28.80 each
- 10 = \$30.70 each

ITEM #7040

## 24" x 12" - Single Sided Directional Sign

### DESCRIPTION:

- 1 X .150" coroplast sign
- **Printed one side only**
- Imprinted with DBA and Agent identifier

### Choose from two color schemes!

Model A  Model B

Specify: OPEN HOUSE  FOR SALE

Indicate direction of arrow:

Arrow Right QTY: \_\_\_\_\_

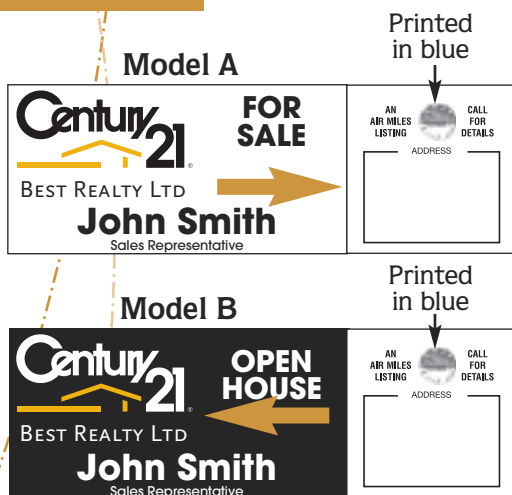
Arrow Left QTY: \_\_\_\_\_

A) Company Name: **CENTURY 21**

DBA \_\_\_\_\_

B) Agent Name: \_\_\_\_\_

C) Title: \_\_\_\_\_



### Model A

Printed in blue

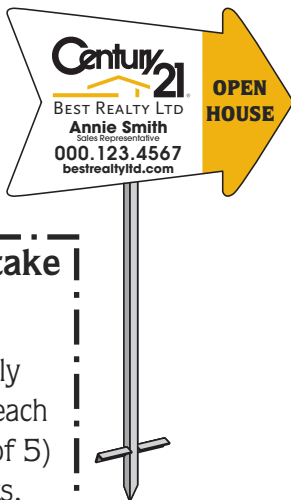
### Model B

Printed in blue

- 50 = \$7.25 each
- 30 = \$8.20 each
- 20 = \$9.10 each

# DIRECTIONAL SIGNS and Stakes

## ITEM #7045



## ITEM #7090

### Step Stake only

#### DESCRIPTION:

- Step stake 48" only
- Weight: 2.75 lbs each
- (Minimum order of 5)
- Includes nylon nuts, bolts and washers

**\$62.50 per box** (5 per box)



## 24" x 18" - Arrow die-cut Sign Directional Sign With Step Stake

#### DESCRIPTION:

- 2 x 4 mm coroplast signs glued back to back
- Imprinted with DBA, Website, phone number and agent identifier
- Step stake, nuts and bolts
- Weight ; 4.75 lbs each

#### Choose from two color schemes!

Sign model - A  or B

Specify: **OPEN HOUSE**  or **FOR SALE**

10  \$38.30 each 25  \$35.00 each

#### Yard sign printing specifications:

A) Company Name: **CENTURY 21**

DBA \_\_\_\_\_

B) Agent name: \_\_\_\_\_

C) Title: \_\_\_\_\_

D) Agent phone number: \_\_\_\_\_

E) Website or Email: \_\_\_\_\_

## ITEM #7050



50 =  \$11.40 each

24 =  \$13.15 each

12 =  \$14.00 each

## Single Sided Arrow Directional Signs

#### DESCRIPTION:

- 4 mm coroplast sign
- Printed one side only
- Imprinted with DBA, Website, phone number and agent identifier

#### Choose from two color schemes!

Sign model - A  or B

Specify: **OPEN HOUSE**  or **FOR SALE**

#### Yard sign printing specifications:

A) Company Name: **CENTURY 21**

DBA \_\_\_\_\_

B) Agent name: \_\_\_\_\_

C) Title: \_\_\_\_\_

D) Agent phone number: \_\_\_\_\_

E) Website or Email: \_\_\_\_\_

Indicate direction of arrow:

Arrow Right  $\longrightarrow$  QTY: \_\_\_\_\_

Arrow Left  $\longleftarrow$  QTY: \_\_\_\_\_

Please Photocopy  
AND ATTACH TO ORDER FORM

# QUICK-UP DIRECTIONAL SIGNS

## And Wire Stakes

ITEM #7055

### 24" x 12" Directional sign

DESCRIPTION:

- Printed 2 sides

With 30" galvanized wire stakes

Model A



Model D



Specify:

- Model A
- Model B
- Model C
- Model D
- Model E
- Model F

Model B



Model E



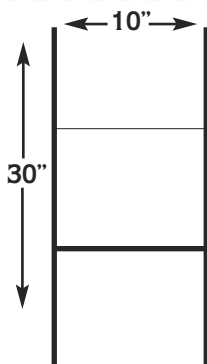
Model C



Model F



ITEM #8003 Wire stake



- 36 Directional signs & stakes - \$12.65 each
- 24 Directional signs & stakes - \$13.75 each
- 12 Directional signs & stakes - \$15.50 each

#### Galvanized Wire Stake

- 10" x 30" galvanized stake
- 1/8" Wire construction
- For use with 4 mm Corrugated sign panels
- Affordable and easy to use
- White coroplast can be translucent in very bright areas.

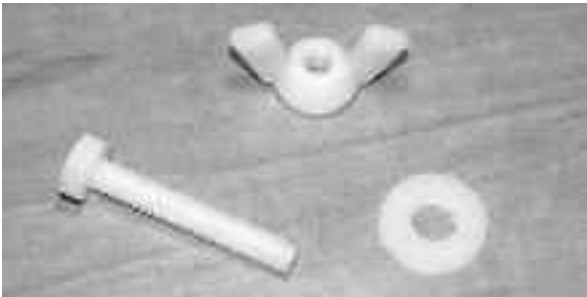
#### Yard sign printing specifications:

- A) Company Name: **CENTURY 21**  
 DBA \_\_\_\_\_
- B) Agent Name: \_\_\_\_\_
- C) Title: \_\_\_\_\_

# SIGN ACCESSORIES

## ITEM #7060

### Step Stake Nuts And Bolts



**1 Bag =**  
10 bolts  
10 wingnuts  
20 washers

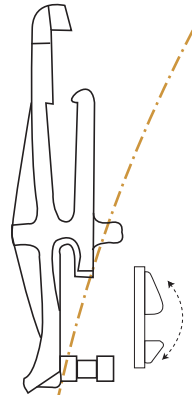
**PRICE:**  
**\$4.25 each bag**

## ITEM #7065

### Sign pegs

**DESCRIPTION:**  
• Plastic Sign Holder Pegs  
• Packages of 9

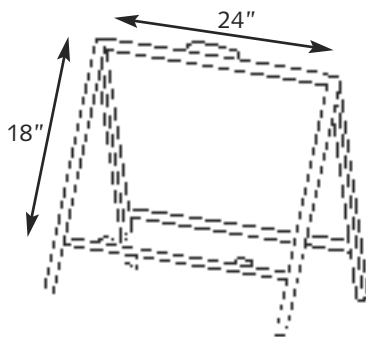
**PRICE:**  
**\$9.00 per bag**



## ITEM #7070

### A-Frame or Tent Frame

**DESCRIPTION:** Powder coated For OPEN HOUSE, FOR SALE and DIRECTIONAL



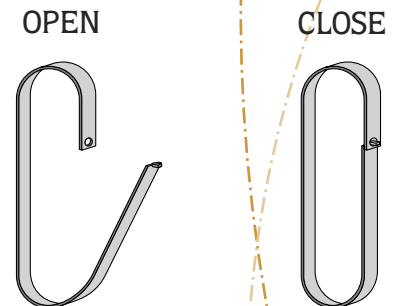
**PRICE:**  
Available only in boxes of 4: **\$32.75 each frame**

## ITEM #7075

### Rider Sign Hanger Clips

**DESCRIPTION:**  
• 100% Stainless Steel Clips, For Hanging Name Rider Signs  
• 48 clips per bag

**PRICE:**  
**\$17.00 each**



## ITEM #7080

### Residential Steel Yard Frame

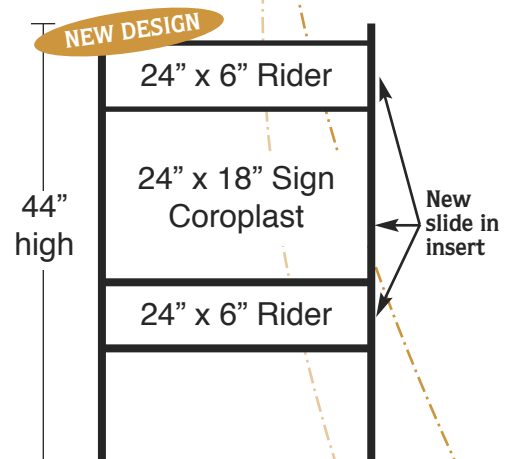
**NO INSTALLER NECESSARY**

**QUICK AND EASY TO INSTALL**

- Accommodates our 24" x 18" 4 mm Coroplast sign (Item #6005) and has special feature for holding sign riders 24" x 6"
- Black powder coat
- 3/4" Steel angle frame

| QTY   | 4-20                         | 24-100                       |
|-------|------------------------------|------------------------------|
| PRICE | <b>\$40.00</b><br>each frame | <b>\$37.00</b><br>each frame |

\* Does not include sign panels  
**Available only in boxes of 4**



Please Photocopy  
AND ATTACH TO ORDER FORM

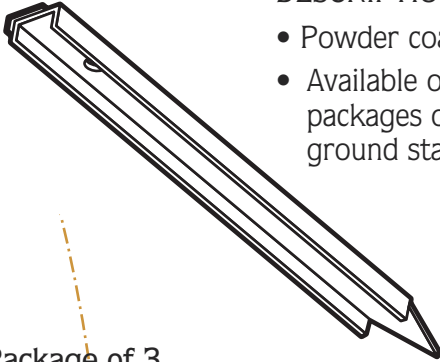
# SIGN ACCESSORIES

## ITEM #7085

### Extra Yard Sign Ground Stakes

DESCRIPTION:

- Powder coated
- Available only in packages of 3 ground stakes



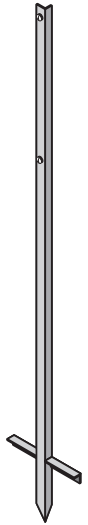
Package of 3  
PRICE: \$29.50

## ITEM #7090

### Step Stakes

DESCRIPTION:

- Step Stake 48"
- Weight: 2.75 lbs each
- (minimum order of 5)
- Includes nylon nuts, bolts and washers
- Powder coated



5 per box  
PRICE: \$62.50 per box

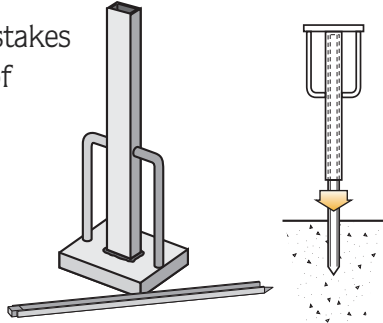
## ITEM #7095

### Stake Hammer

DESCRIPTION:

- For installing sign stakes
- Avoid flaring top of steel stakes
- Weight: 15 lbs.
- Powder coated

PRICE:  
\$48.00 each



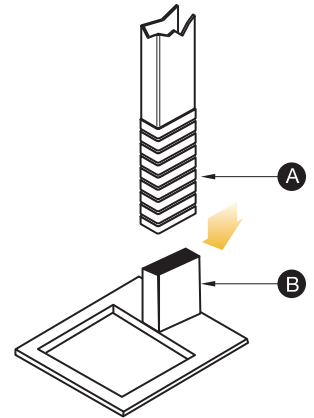
## ITEM #8000

### Portable Display Base

DESCRIPTION:

- Office sign and post display
- To be used for display or office special events.
- Powder coated

PRICE:  
\$46.50 each



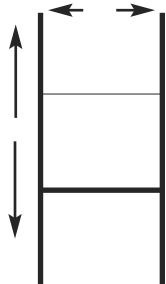
## ITEM #8003

### Quick-Up Coro Stakes

DESCRIPTION:

- 1/8" Galvanized Wire Stakes (12 wire stakes per box)

PRICE:  
\$29.95 per box



# PERSONAL PROMOTION PRODUCTS

## ITEM #8005

Lapel pin holder



### Pins 1 1/8" x 1/2"

DESCRIPTION:

- Black background with gold logo
- Anti-swivel bracket

|       |        |         |
|-------|--------|---------|
| QTY   | 10-100 | 101-500 |
| PRICE | \$3.80 | \$3.00  |

## ITEM #8007



### Agent car identifier

CLING VINYL WINDOW SIGN

DESCRIPTION:

- Removable
- For use inside the vehicle
- Easily clings via static to front or side windows
- Printed black, white and gold on clear  
3 1/4" X 4 3/4"

DIRECTIONS:

- Wash window and apply sticker with a plastic card.

PRICE: \$2.00 each

## ITEM #8010



### Umbrella

DESCRIPTION:

- Extra large 50" arc golf umbrella
- Wood handle with windproof spring

PRICE: \$18.00 each

Please Photocopy  
AND ATTACH TO ORDER FORM

# PERSONNAL PROMOTION PRODUCTS

ITEM #8015



## Balloons

### DESCRIPTION:

- Black or white 12" balloons with Century 21 logo
- Helium quality pure latex
- Logo printed two sides

| QTY   | 250     | 500      | 1000     |
|-------|---------|----------|----------|
| PRICE | \$75.00 | \$120.00 | \$210.00 |

- Black Balloon, white writing
- White Balloon, black writing
- Black Balloon, gold writing
- Gold Balloon, black print

ITEM #8017



## Playing cards

### DESCRIPTION:

- Plastic coated
- Color: Black or white with gold Century 21 logo

PRICE: \$7.00 each

ITEM #802F



## Teddy Bear

### DESCRIPTION:

- High quality stuffed bear wearing a black t-shirt with imprint of Century 21 logo

SIZE: 8" x 11"

PRICE: \$12.00



# PERSONNAL PROMOTION PRODUCTS

## ITEM #8025



Left front pocket center (4" x 8")  
Top front pocket center (8" x 4")  
(3" x 6")  
(3")

### Zippered Legal Portfolio

#### DESCRIPTION:

- Koskin material
- Three-sided zipper closure
- Full-length outside zippered pocket
- Inside compartment for CD's and DVD's
- accordion pocket for files
- Inside zippered pocket
- Century 21 logo white or gold

PRICE: \$20.00 each

## ITEM #8030



### Ultrasonic Range Finder

#### Realtors convenient distance measuring tool

- Automatic conversion between imperial & metric units with the push of a single button
- Measuring range 0.3 - 15 m or 1 foot - 50 feet

PRICE: \$29.99 each

## ITEM #8035



### Lockbox

#### DESCRIPTION:

- A hollow metal box that attaches to the front doorknob or some secure place nearby.
- Stores key securely
- Easy 3 digit combination
- Agents have access at all times

PRICE: \$24.00 each

Please Photocopy  
AND ATTACH TO ORDER FORM

# PERSONNAL PROMOTION PRODUCTS

## ITEM #8015



### Desktop signs Colonial Post Business card holder\*

#### DESCRIPTION:

- The best business card holder you will ever have!
- Sturdy colonial post mounted on a PVC base
- Great for open houses, incentives, rewards or gifts
- Each unit comes complete with both "Sold" top rider and "Vendu" top rider

SIZE: 12" high x 8" wide

PRICE: \$20.00 each

\* Until depletion of stock, all items will be sold with the slogan "The Local Experts"™.  
– New CENTURY 21 slogan will be Connected to More™.

## ITEM #8020



### Licence Plate Frames\*

#### DESCRIPTION:

- Black PVC frames with gold print
- Top print: "Connected to More"™ \*
- Bottom print: "CENTURY 21"

PRICE: \$4.00

\* Until depletion of stock, all items will be sold with the slogan "The Local Experts"™.  
– New CENTURY 21 slogan will be Connected to More™.

## HOW TO ORDER:

1. Photocopy catalogue page
2. Complete order form
3. Order directly by sending the order form via mail, fax or Email.
4. Orders must be accompanied by payment to begin processing.

**Terms:**

You may pay for your merchandise by Visa, MasterCard or American Express. Check or money order in full (including shipping and applicable sales/tax). Shipping charges will automatically be added on charge card orders. When ordering by check or money order, and you would like to prepay shipping charges, you may call for exact freight charges. No C.O.D.'s accepted. Our minimum order is \$40.00. Prices subject to change without notice. Home Colonial Signs Post is not responsible for following individual local or municipal sign restrictions and specifications. If your area has specific sign codes or restrictions you must inform us in writing at the time you place your order.

**Sales/Tax:**

The appropriate tax will be added to all orders shipped.

**Returns:**

Merchandise can not be returned without written permission. No refunds can be given on personalized merchandise. All returned merchandise must be shipped freight prepaid.

## ORDER FORM:

Company name: CENTURY 21 \_\_\_\_\_

Address: \_\_\_\_\_

City: \_\_\_\_\_ Province: \_\_\_\_\_

Postal code: \_\_\_\_\_

Telephone: ( \_\_\_\_ ) \_\_\_\_\_ Fax: ( \_\_\_\_ ) \_\_\_\_\_

Card holder name: \_\_\_\_\_

Credit card number: \_\_\_\_\_ Expiry date: M / Y \_\_\_\_\_

Visa     
  Mastercard     
  American Express     
  Check

Card holder signature: \_\_\_\_\_

### FOR EXACT PRINTING DETAILS, SEE MODELS ON APPROPRIATE PAGES AND PHOTOCOPY

| QTY | ITEM NO | SIZE | DESCRIPTION | EACH | TOTAL |
|-----|---------|------|-------------|------|-------|
|     |         |      |             |      |       |
|     |         |      |             |      |       |
|     |         |      |             |      |       |
|     |         |      |             |      |       |
|     |         |      |             |      |       |
|     |         |      |             |      |       |
|     |         |      |             |      |       |
|     |         |      |             |      |       |
|     |         |      |             |      |       |
|     |         |      |             |      |       |
|     |         |      |             |      |       |
|     |         |      |             |      |       |
|     |         |      |             |      |       |
|     |         |      |             |      |       |
|     |         |      |             |      |       |
|     |         |      |             |      |       |
|     |         |      |             |      |       |
|     |         |      |             |      |       |
|     |         |      |             |      |       |
|     |         |      |             |      |       |
|     |         |      |             |      |       |

**SHIPPING AND BILLING CHARGES:**

Shipping charges will automatically be included on charge card orders. When ordering by check or money order, and would like to prepay shipping charges, you may call for exact freight charges.

**Price list #11**

**NEED EXTRA CATALOGUES? HOW MANY?**

We are constantly seeking product improvements and reserve the right to alter specifications and prices without prior notice.

|  |       |
|--|-------|
| Total Price of items                               | _____ |
| (see shipping charge information) Shipping Charges | _____ |
| Total amount of Order                              | _____ |
| H.S.T. or G.S.T. (Canadian Customers Only)         | _____ |
| TOTAL  | _____ |
| Québec clients, add Q.S.T.                         | _____ |
| <b>GRAND TOTAL</b>                                 | _____ |

# HOME COLONIAL SIGNPOST

DIVISION OF ROBWOOD INC



Our new illustrated price list # 11



© Registered Industrial Design

REAL ESTATE YARD SIGN CATALOGUE

TEL.: 450-477-2828 • FAX: 450-477-6819 • E-mail: robwood@bellnet.ca